

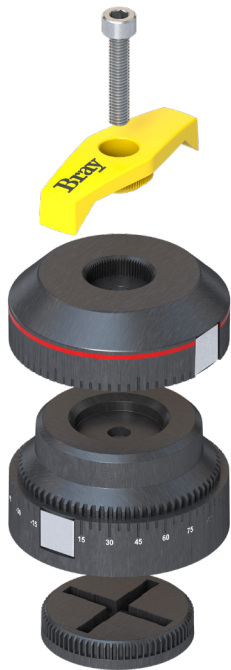
FEATURES

- Independently adjustable open and close positions
- Low resistivity plastic
- Three level adjustable
- Suitable for CW or CCW operation
- 30 x 80mm actuator mounting
- 30 x 130mm actuator mounting

TECHNICAL DATA

Activator material	PA66 with carbon fiber
Pointer material	PA6
Activator adjustments	5 degree increments
Pointer adjustments	5 degree increments
Activator markings	-90° to +90° in 5 degree increments
Hardware	304 stainless steel
Activator targets	304 stainless steel

ASSEMBLY

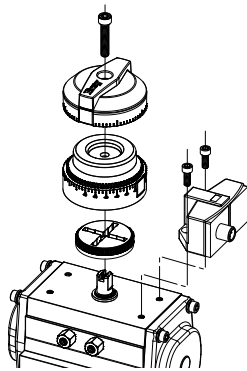
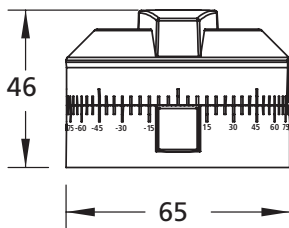


ACTIVATOR AND MOUNTING KITS

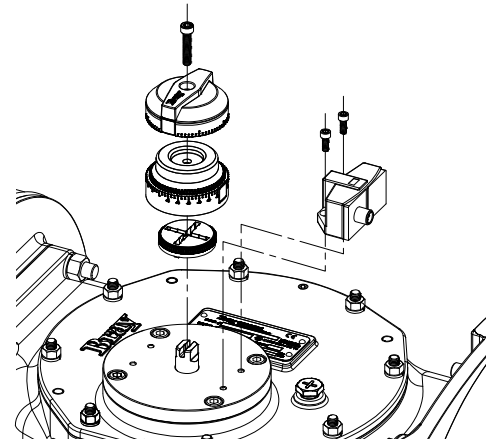
30 x 80mm mounting pattern, adjustable activator

Description	Hardware	Kit part number
Bray S92/93 Sizes 63 to 128	Imperial	54063A-14800536
Bray S92/93 Sizes 63 to 128 and Series 98 NAMUR VDI/VDE 3845 Compliant mounting	Metric	54063A-14850536

DIMENSIONS



Series 92/93 Actuator



Series 98 Actuator

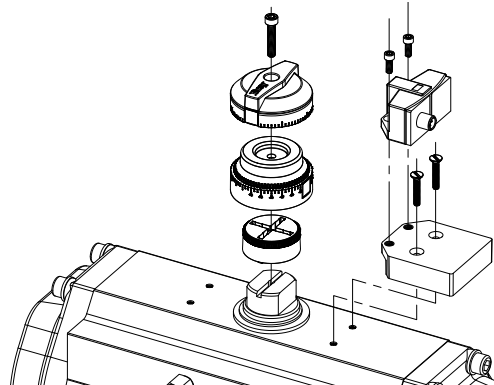
Parts List

Qty	Imperial - 54063A-14800536	Metric - 54063A-14850536
1	Activator	Activator
1	Pinion adaptor	Pinion adaptor
1	Socket head capscrew M6x1x30mm,SS	Socket head capscrew M6x1x30mm,SS
2	Socket head capscrew #10-32X7/16,SS	Socket head capscrew M5X.8,12MM,SS
2	Socket head capscrew #10-32X5/8,SS	Socket head capscrew M5X.8,15MM,SS

See Series 54 IOM for full mounting details

30 x 130mm mounting pattern, adjustable activator

Description	Hardware	Kit part number
Bray S92/93 Sizes 160 to 210	Imperial	54160A-14800536
Bray S92/93 Sizes 160 to 255 NAMUR VDI/VDE 3845 Compliant mounting	Metric	54160A-14850536



Series 92/93 Actuator

Qty.	Imperial - 54160A-14800536	Metric - 54160A-14850536
1	Activator	Activator
1	Pinion adaptor	Pinion adaptor
1	Series 54 sensor adaptor	Series 54 sensor adaptor
1	Socket head capscrew M6X1,40MM,SS	Socket head capscrew M6X1,40MM,SS
2	Socket head capscrew #10-32X7/16,SS	Socket head capscrew M5X.8,12MM,SS
2	Socket head capscrew #10-32X5/8,SS	Socket head capscrew M5X.8,15MM,SS
2	Counter sunk cross drive screw #10-32X1.00	Counter sunk slotted screw M5X35,18-8

See Series 54 IOM for full mounting details

HEADQUARTERS

Bray International, Inc.

13333 Westland East Blvd.

Houston, Texas 77041

Tel: 281.894.5454

bray.com

All statements, technical information, and recommendations in this bulletin are for general use only. Consult Bray representatives or factory for the specific requirements and material selection for your intended application. The right to change or modify product design or product without prior notice is reserved. Patents issued and applied for worldwide.

Bray® is a registered trademark of Bray International, Inc.

© 2017 Bray International. All rights reserved.

TM-1071_EL_Series54-A_11_2017