

PT3544



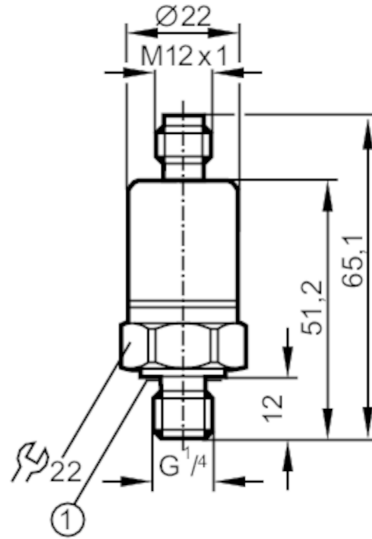
Pressure transmitter

PT-010-RBG14-A-ZVG/US/ IW

phase-out article

Alternative articles: PT5404

When selecting an alternative article and accessories please note that technical data may differ!



1 Sealing
Tightening torque 25 Nm



Product characteristics

Number of inputs and outputs	Number of analogue outputs: 1			
Measuring range	0...10 bar	0...145 psi	0...1000 kPa	0...1 MPa
Process connection	threaded connection G 1/4 external thread			

Application

Application	for industrial applications			
Media	liquids and gases			
Medium temperature [°C]	-25...90			
Min. bursting pressure	300 bar	4350 psi	30 MPa	
Pressure rating	25 bar	362 psi	2.5 Mpa	
Type of pressure	relative pressure			

Electrical data

Operating voltage [V]	8.5...36 DC			
Min. insulation resistance [MΩ]	100; (500 V DC)			
Protection class	III			
Reverse polarity protection	yes			

Inputs / outputs

Number of inputs and outputs	Number of analogue outputs: 1			
------------------------------	-------------------------------	--	--	--

PT3544



Pressure transmitter

PT-010-RBG14-A-ZVG/US/ IW

Outputs			
Total number of outputs	1		
Output signal	analogue signal		
Number of analogue outputs	1		
Analogue current output [mA]	4...20		
Max. load [Ω]	775; ($U_b = 24\text{ V}$; ($U_b - 8,5\text{ V}$) / 20 mA)		
Measuring/setting range			
Measuring range	0...10 bar	0...145 psi	0...1000 kPa 0...1 MPa
Accuracy / deviations			
Repeatability [% of the span]	< $\pm 0,1$; (with temperature fluctuations < 10 K)		
Characteristics deviation [% of the span]	< $\pm 1,0$; (incl. drift when overtightened, zero point and span error)		
Linearity deviation [% of the span]	< $\pm 0,25$ (BFSL) / < $\pm 0,5$ (LS)		
Hysteresis deviation [% of the span]	< $\pm 0,2$		
Long-term stability [% of the span]	< $\pm 0,1$; (per 6 months)		
Temperature coefficient zero point [% of the span / 10 K]	< $\pm 0,1$; (-25...90 °C)		
Temperature coefficient span [% of the span / 10 K]	< $\pm 0,1$; (-25...90 °C)		
Response times			
Step response time analogue output [ms]	3		
Operating conditions			
Ambient temperature [°C]	-25...90		
Storage temperature [°C]	-40...100		
Protection	IP 67; IP 69K		
Tests / approvals			
EMC	EN 61000-4-2 ESD	4 kV CD / 8 kV AD	
	EN 61000-4-3 HF radiated	10 V/m	
	EN 61000-4-4 Burst	4 kV coupling clamp	
	EN 61000-4-5 Surge	1 kV signal for DC units	
	EN 61000-4-6 HF conducted	10 V	
Shock resistance	DIN IEC 68-2-27	50 g (11 ms)	
Vibration resistance	DIN IEC 68-2-6	20 g (10...2000 Hz)	
MTTF [years]	1579		
Pressure Equipment Directive	Sound engineering practice; can be used for group 2 fluids; group 1 fluids on request		

PT3544



Pressure transmitter

PT-010-RBG14-A-ZVG/US/ IW

Mechanical data	
Weight [g]	85
Materials	stainless steel (1.4404 / 316L); PA
Materials (wetted parts)	stainless steel (1.4404 / 316L); Sealing: FKM
Min. pressure cycles	50 million
Process connection	threaded connection G 1/4 external thread
Restrictor element integrated	no (can be retrofitted)
Remarks	
Remarks	BFSL = Best Fit Straight Line LS = limit value setting
Pack quantity	1 pcs.

Electrical connection

Connector: 1 x M12; coding: A



Connection

